

**Generalities**

The vertical pumps of the VP range are intended for the pumping of clear or lightly charged fluids in the most various fields of industrial activities.

Depending of installation required, the lengths of vertical pumps suit your needs up to 2000 mm.

The range of VP pumps offers flow rate up to 250 m<sup>3</sup>/h (1100 US gpm) and discharge head up to 65 mcl (213 ft). They complete the VLP range (Brochure 18.01)



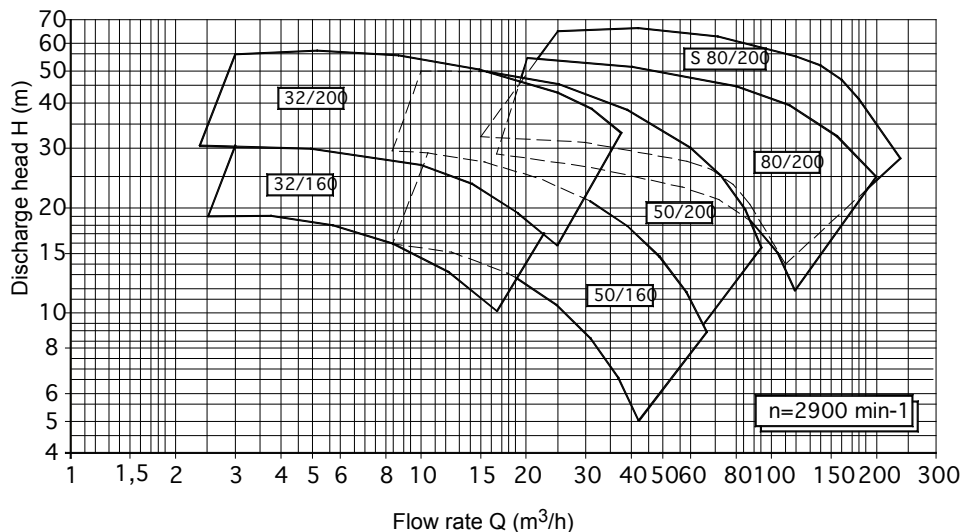
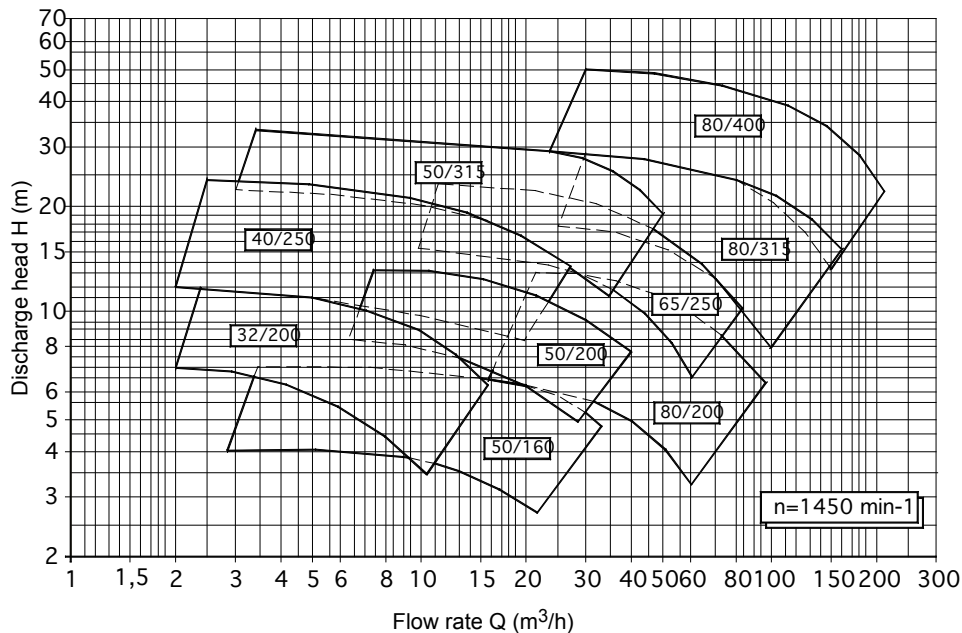
**ATEX conformity**



For the EC zone all our pumps are available as per ATEX.

**Voluntary certification INERIS 06 ATEX 3008X.**

**Diagram**



## Material

The hydraulic part is entirely realized of thick walled manufacture plastic material.

There is no metallic component in contact with the pumped liquid.

> PP or PP-EL

> PVDF or PVDF-EL

## Upper bearing

Construction of upper bearing is very robust for intensive use.

It is equipped with automatic lubricator.

## Lower bearing

For the most usual applications VP pumps are mounted with a bearing lubricated by the fluid pumped.

- Sic/Sic (standard).
- Sic/Carbon (Option).

Depending of applications, bearing can be lubricated by external clear water (Option).

## CANTILEVER mounting

Up to 1200 mm length under base plate the lower bearing will be eliminated and the shaft line reinforced to obtain the best possible performances on very abrasive corrosive fluids.

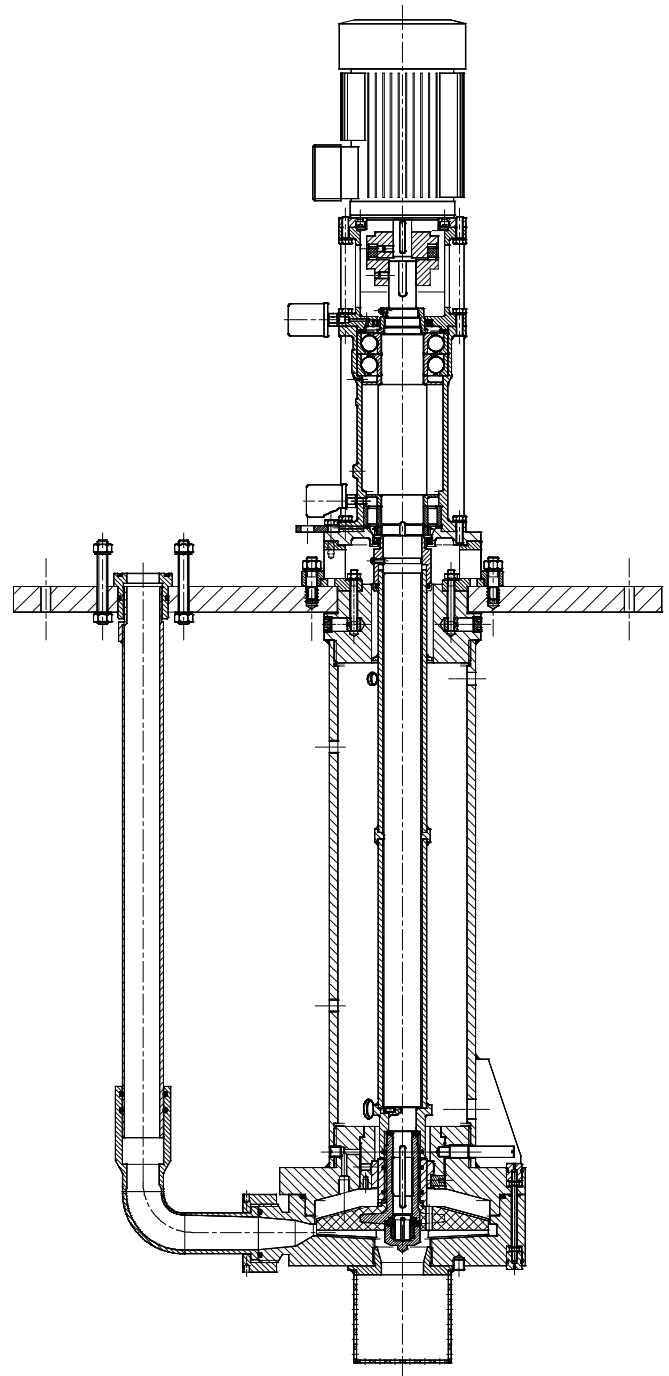
## FREEFLOW impeller

For applications with very abrasive corrosive fluids containing solids we provide for a freeflow impeller.

## Motors

VP pumps are equipped with normalized motors as per IEC standards.

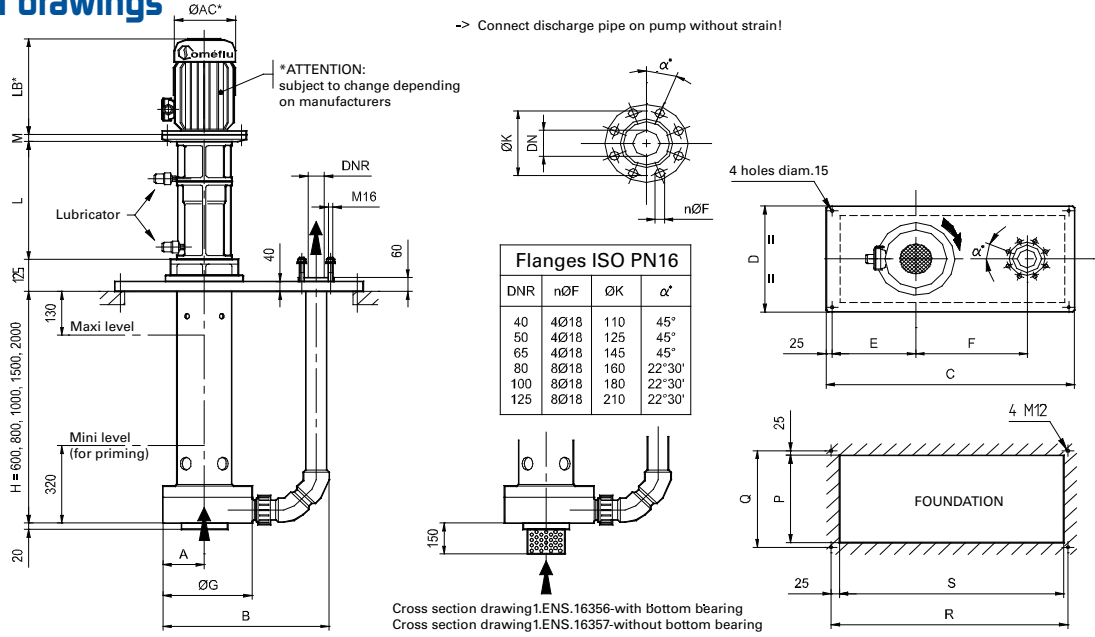
Dismantling of motor can be realized WITHOUT dismantling the pump.



## Main advantages

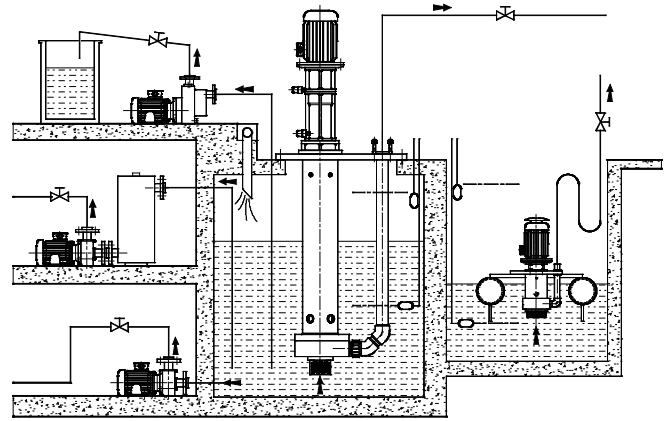
- Robust construction for continuous running.
- Half open centrifugal impeller.
- FREEFLOW impeller (Option).
- Cantilever mounting (Option).
- Normalized motors as per IEC standards.
- Discharge pipe up to base plate.
- Strainer.
- Floating mounting (Option).

Dimensional drawings



Types	Motors						Pumps dimensions										Bearing					Foundations			
	Types	KW 1450	KW 2900	AC*	LB*	M	DNR	A	B	C	D	E	F	G	Real length H +		L pour H =					P	Q	R	S
															FREEFLOW	NORMALE	600	800	1000	1500	2000				
32/160	90L	1,5		180	245	10	40	150	525	850	490	250	340	300			470	470	470	470	470	390	440	800	750
	100L	2,2/3	3	198	290	15																			
	112M		4	198	290	15																			
	132S		5,5/7,5	220	350	35																			
	160M		11/15	316	495	65																			
32/200	90L	1,5		180	245	10	40	163	540	850	490	250	340	326	17	5	470	470	470	470	470	390	440	800	750
	100L	2,2/3		198	290	15																			
	112M	4		198	290	15																			
	132S		5,5/7,5	220	350	35																			
	160M		11/15	316	495	65																			
40/250	100L	3		198	290	15	50	189	630	850	490	250	400	379	22	10	470	470	470	470	470	390	440	800	750
	112M	4		198	290	15																			
	132S	5,5		220	350	35																			
	132M	7,5		264	387	35																			
	160M			316	495	65																			
50/160	100L	2,2/3		198	290	15	65	150	600	850	490	250	400	300	29	15	470	470	470	470	470	390	440	800	750
	112M	4		198	290	15																			
	132S		5,5/7,5	220	350	35																			
	160M/L		11/15/18,5	316	495	65																			
	200LT		30	350	598	50																			
50/200	100L	2,2/3		198	290	15	65	163	615	850	490	250	400	326	27	15	470	470	470	470	470	390	440	800	750
	112M	4		198	290	15																			
	132S	5,5	7,5	220	350	35																			
	132M	7,5		264	387	35																			
	160M/L		11/15/18,5	316	495	65																			
50/315	132S	5,5		220	350	35	65	225	735	990	590	270	460	450	37	25	470	470	470	470	470	490	540	940	890
	132M	7,5		264	387	35																			
	160M/L	11/15		316	495	65																			
	112M	4		198	290	4	80	205	765	990	590	270	500	410	33	20	470	470	470	470	470	490	540	940	890
	132S	5,5		220	350	35																			
80/200	100L	3		198	290	15	100	190	765	990	590	270	500	410	42	30	470	470	470	470	470	490	540	940	890
	112M	4		198	290	15																			
	132S	5,5		220	350	35																			
	132M	7,5		264	387	35																			
	160M-L	11/18,5	11/15	316	495	65																			
80/315	132M	7,5		264	387	35	100	240	880	1090	690	300	565	520	50	35	470	470	686	686	686	590	640	1040	990
	160M/L	11/15		316	495	65																			
	180MT	18,5		316	495	65																			
	180L	22		350	552	65																			
	200LT	30		350	598	50																			
80/400	160L	15		316	495	65	100	270	930	1140	740	325	595	570	50	30	686	686	686	686	686	640	690	1090	1040
	180MT	18,5		316	495	65																			
	180L	22		350	552	65																			
	200LT	30		350	598	50																			
	112M	4		198	290	15	125	205	795	1000	690	275	520	460	45	30	470	470	470	470	470	640	690	1000	950
100/200	132S	5,5		220	350	35																			
	132M	7,5		264	387	35																			
	160M/L	11/15		316	495	65																			
	180MT	18,5	22	316	495	65																			
	200LT	30	30	350	598	50																			
100/315	160L	15		316	495	65	100	240	880	1090	690	300	565	520	50	35	686	686	686	686	686	590	640	1040	990
	180MT	18,5		316	495	65																			
	180L	22		350	552	65																			
	200LT	30		350	598	50																			

Dimensions in mm ( subject to change )



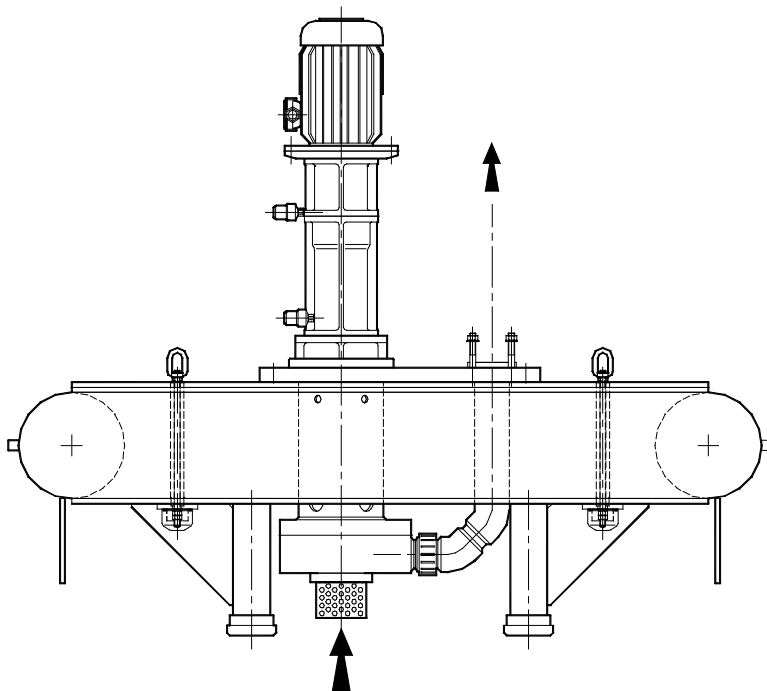
**Application fields**

- Pumping of acid or alkaline fluids of all concentrations.
- Pickling baths recycling.
- Scrubbers.
- Drain of waste stocking pits.
- Water treatment stations.

**Mounting on float**

**SOMEFLU** manufacture floats made of Polypropylene and PVDF for installation of vertical pumps type VP and VCP.

- Lagoon basin
- Lixiviation basin



FP 19.01 EN